

# SAGOLA

**new**  
**novedad**  
**new**

ALTA TRANSFERENCIA  
**65%**  
H.V.L.P.  
HIGH TRANSFER

Producto SAGOLA · SAGOLA Product  
SAGOLA   
D.I. 201030105167.7

**NEW**  
**JUNIOR G**



Discover evolution  
**REFUSE IMITATIONS**

# Junior G



# Remember to use original SAGOLA Spare Parts



## AEROGRAPHIC SPRAY GUN FOR DIVERSE APPLICATIONS

**WE KEEP PROVIDING THE HIGHEST QUALITY PAINTING!**

**New body, SAGOLA exclusive design**  
**NEW NOZZLES: 1.8, 1.6 and 1.4 mm**

Gravity aerographic spray gun with air valve. Low-budget, high transfer, and very low air consumption.

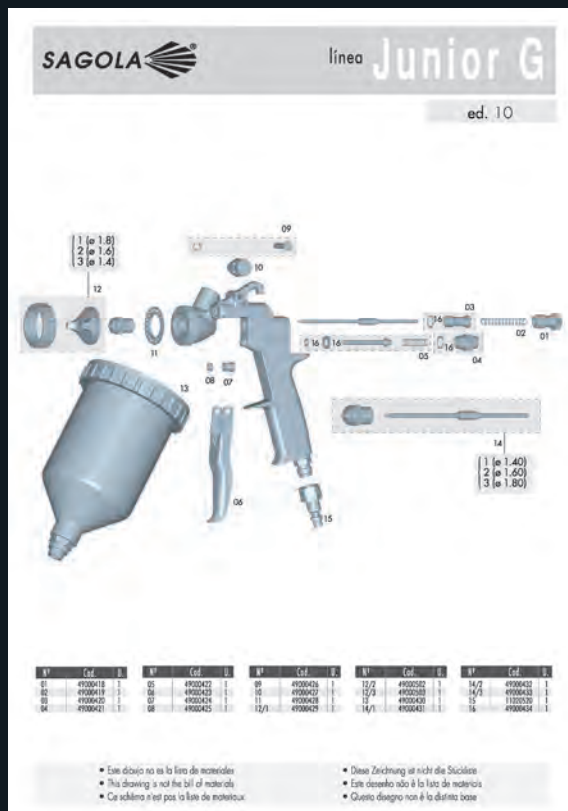
Robust, lightweight and ergonomic new design.

Suitable to work with compressors from 1.5 HP. Product regulators and fan.

PACKAGING: Blister or box. Instruction manual in 6 languages.



TECHNICAL DATA		REFERENCES	
• Air consumption	150 l/min	20141904	1.4 set up box
• Recommended max. pressure	2 bar	20141903	1.6 set up box
• Weight	485 gr.	20141905	1.8 set up box
• Cup capacity	600 cc.	20141902	1.8 set up blister



## A T T E N T I O N

Sagola declines all liability for any damage or defects caused by Sagola spray guns reproductions. These spray guns are imitations and

**HAVE NOT BEEN MANUFACTURED BY SAGOLA, S.A.**

Sagola S.A. spray guns are marketed and distributed by our exclusively distributors network, providing them with spare parts, and **3 years guarantee** against design and manufacturing defects.

**SAGOLA, S.A.**

Urartea, 6 · Apdo. 199 · 01010 Vitoria-Gasteiz (Álava) SPAIN · Tel.: (+34) 945 214 150  
 Fax: (+34) 945 214 149 · e-mail: sagola@sagola.com · web: www.sagola.com



Desaler's stamp